

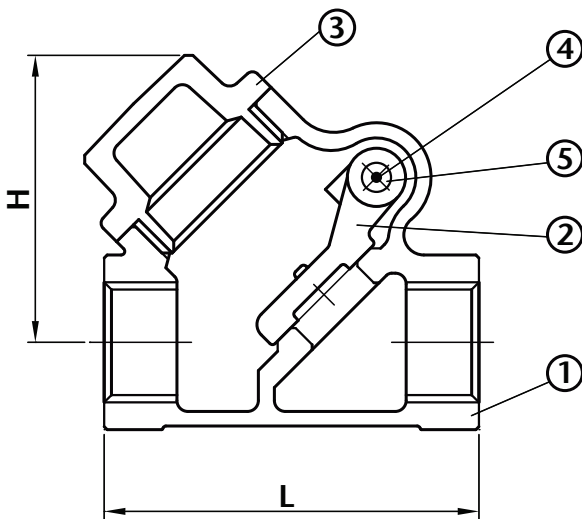
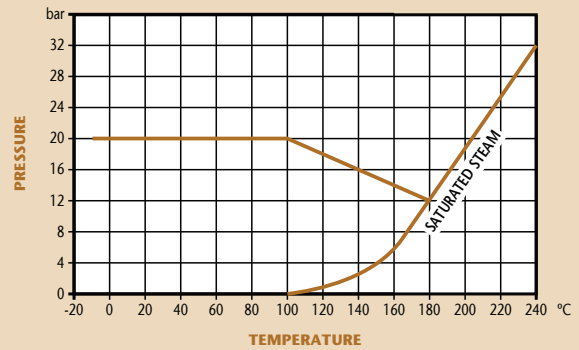


PN20 Bronze Swing Check Valve

Features

- Screwed BSP Taper
- Bronze Body & Disc
- PN20 Rated
- BS 5154 (BS EN12288)

Pressure / Temperature



DN	1/2"	3/4"	1"	1 1/4"	1 1/2"	2"
L	56	71	80	97	110	129
H	43	51	58	68	78	96
CV	3.5	6.6	12.0	22.0	30.0	50.0
Kgs	0.28	0.43	0.59	0.91	1.31	1.86

Technical Data

Max Pressure	20 Bar
Working Temperature	-10°C to +180°C

N.	Part Name	Materials
1	Body	Bronze
2	Disc	Bronze
3	Cap	Bronze
4	Hanger Pin	Brass
5	Plug	Brass

Dimensions in mm

This data sheet is designed as a guide and should not be regarded as wholly accurate in every detail. We reserve the right to amend the specification of any product without notice.